

IP65

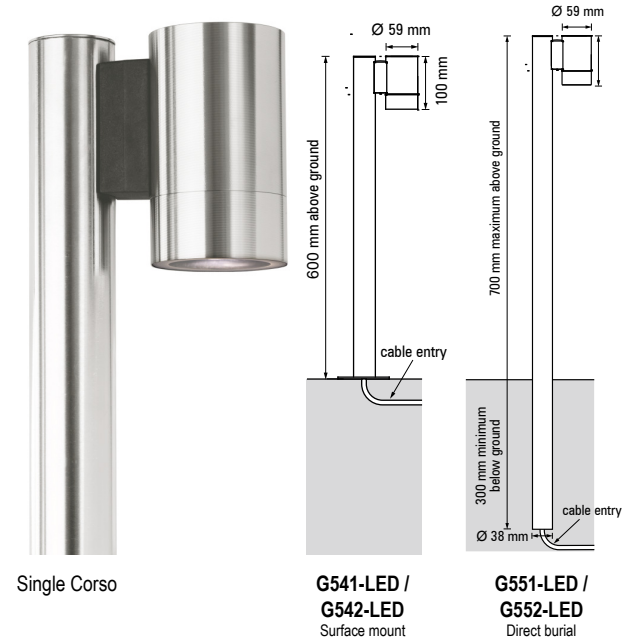
The Corso is a low voltage luminaire delivering light in a controlled manner, with a choice of one or two light heads. It is constructed of marine grade stainless steel. This model is ideal for illuminating low level plantings or objects of interest in a landscape.

SPECIFICATIONS

LED Source	LED 3 W or 2 x 3 W ⁽¹⁾ ■ Warm white (3000 K typical)
Control Signal	PWM 24 V DC
Dimmable	Recommend using G615-PWM0-10MNA for 0-10 V dimming <i>NOTE: 4 wires circuit required to be run to luminaire.</i>
IP Rating	IP65
Construction	Electropolished 316 marine grade stainless steel
Installation Type	Surface Mount Direct burial
Ambient Operating Temperature	-10 °C to +40 °C
Accessories	G615-PWM0-10MNA 0-10V dimmer system <i>Order separately</i> G612 wall plate dimmer

NOTE: Any luminaire can become hot - take care with appropriate use and placement.

⁽¹⁾ Nominal power consumption only, actual power consumed may vary.



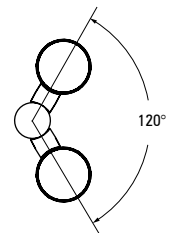
Single Corso

G541-LED / G542-LED
Surface mount

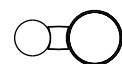
G551-LED / G552-LED
Direct burial



Double Corso



Double Corso



Single Corso

CONFIGURE THIS PRODUCT >

